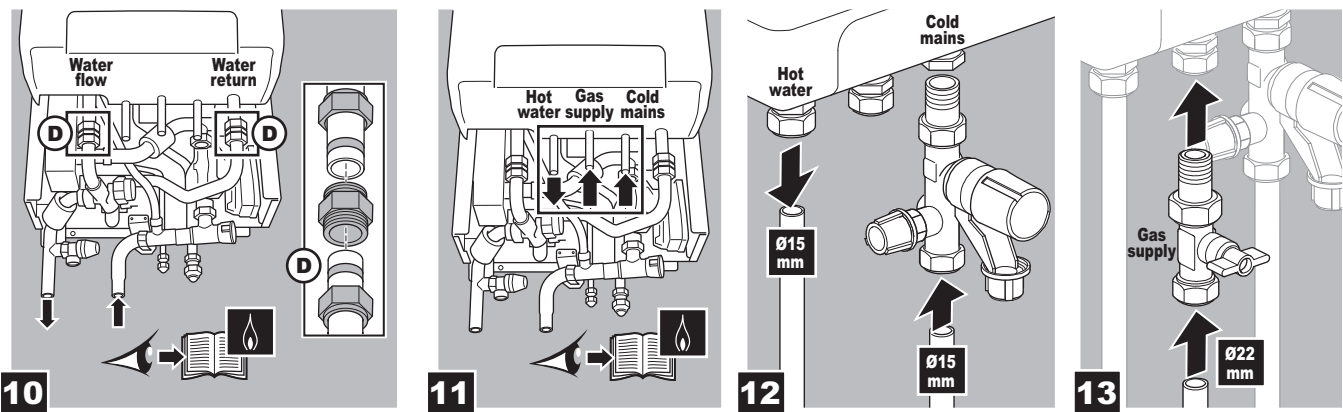
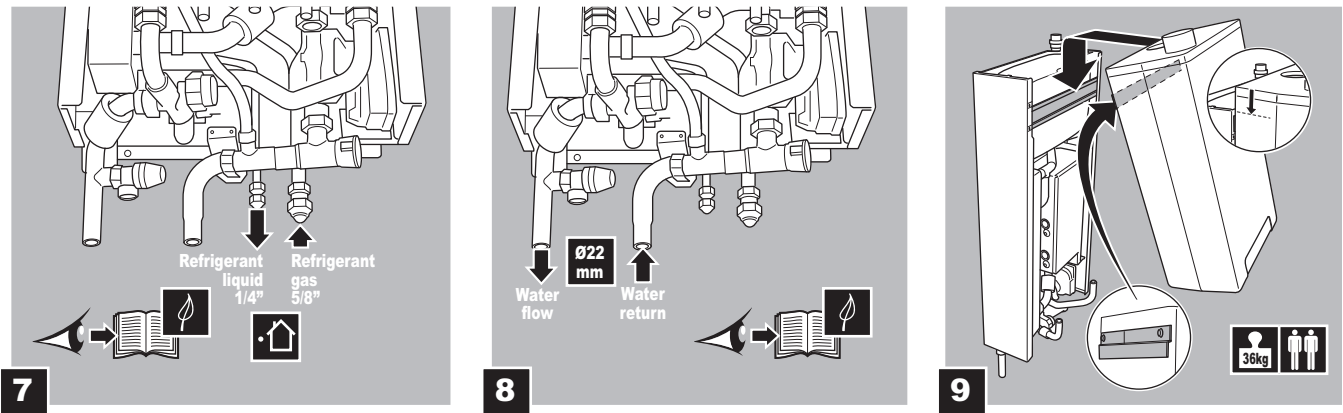
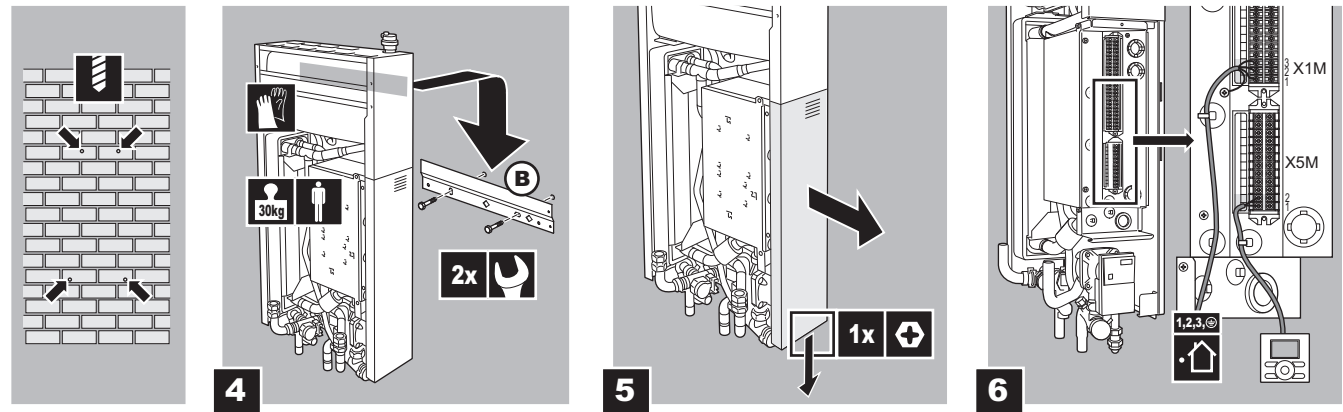
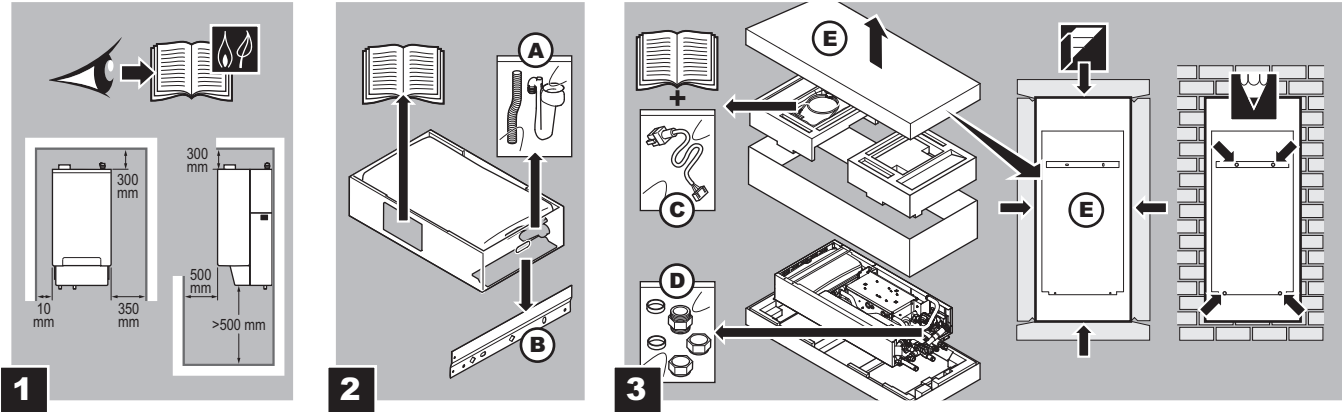
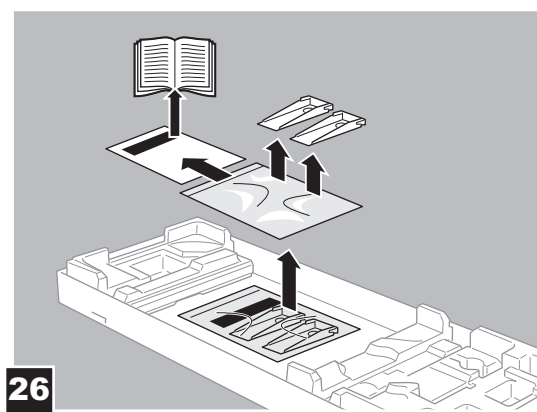
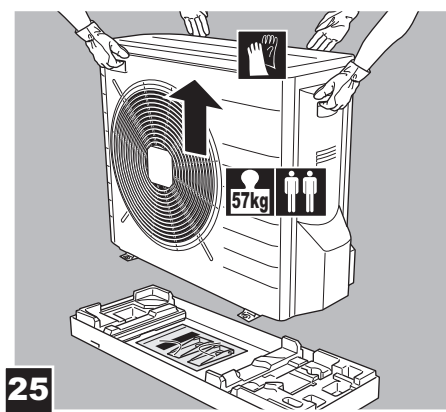
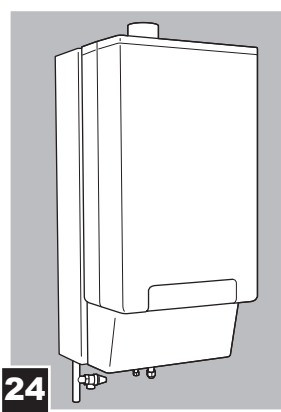
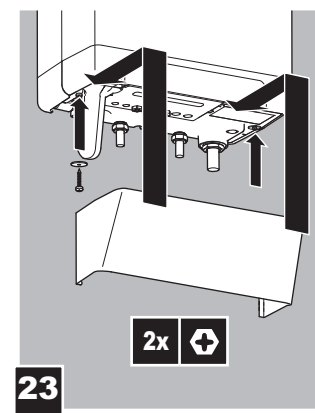
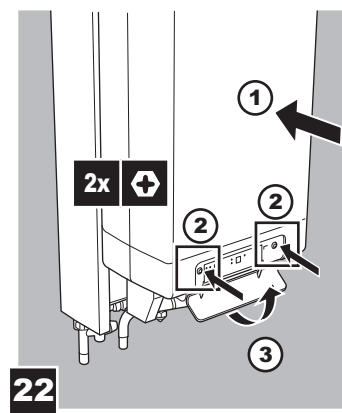
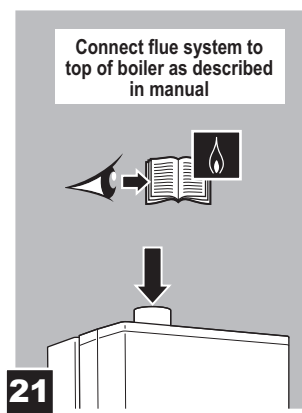
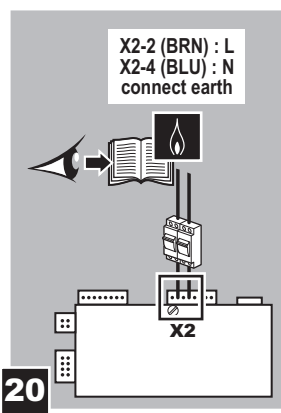
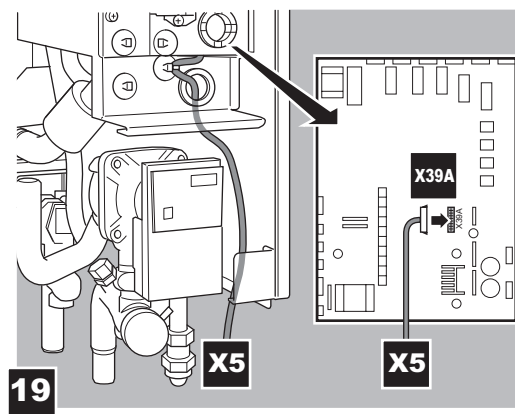
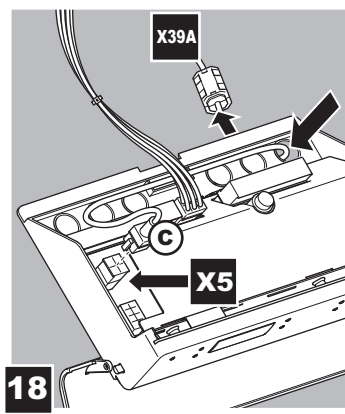
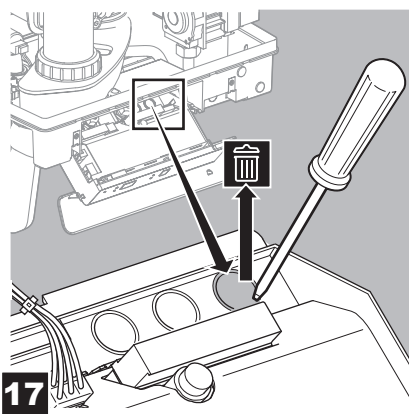
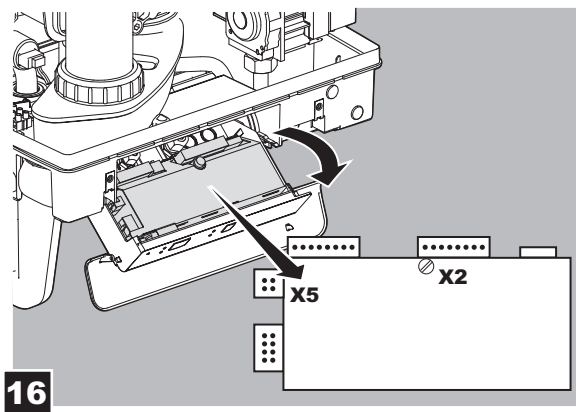
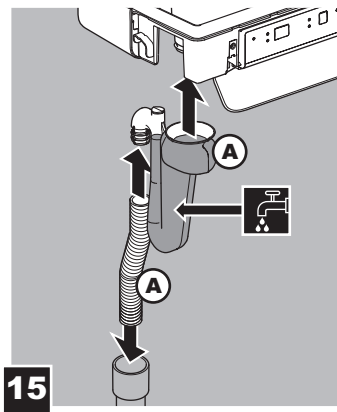
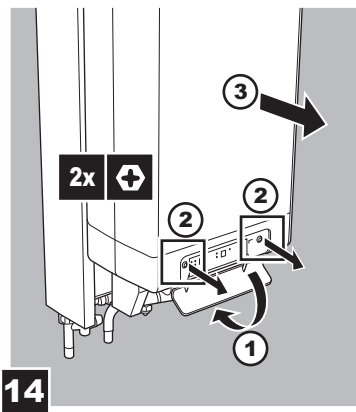
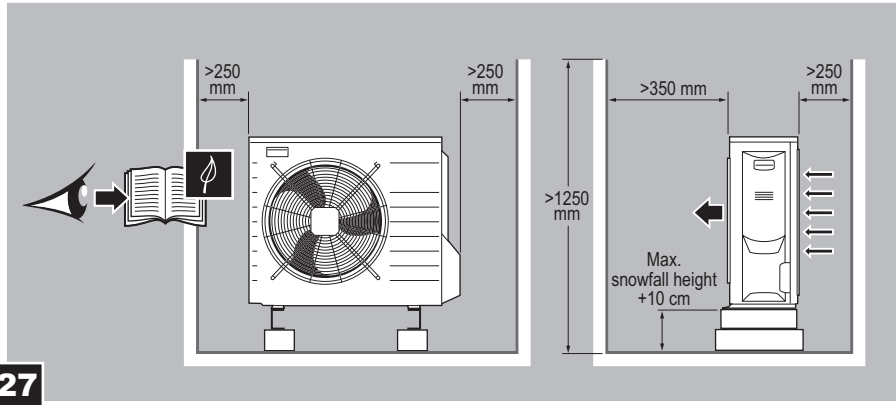


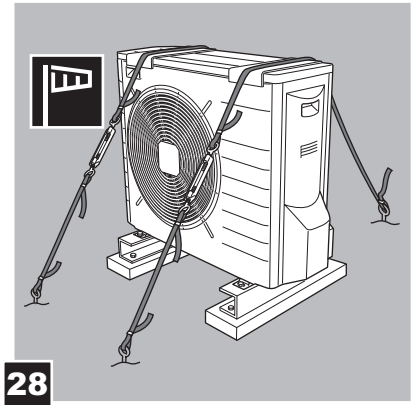
Installation in a nutshell



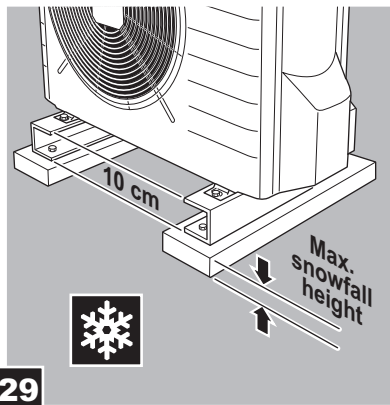




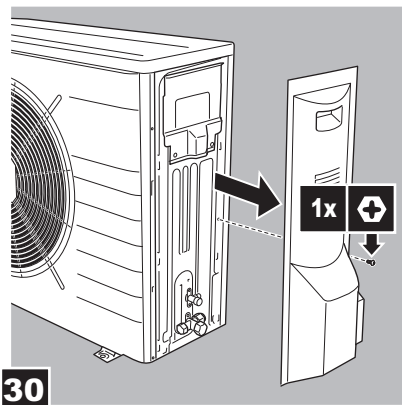
27



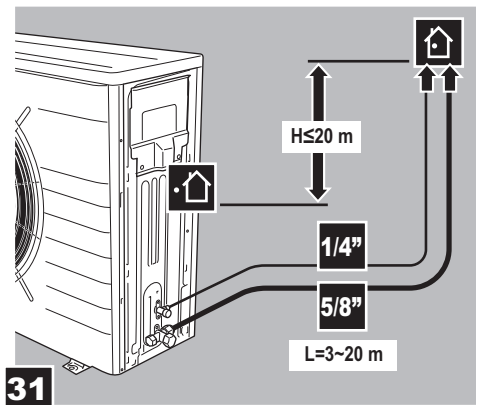
28



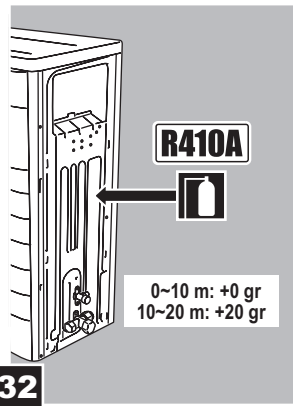
29



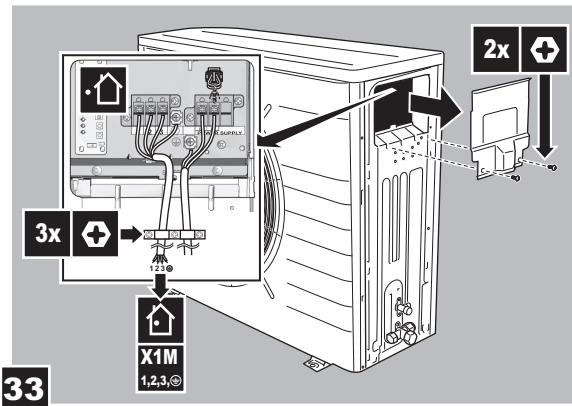
30



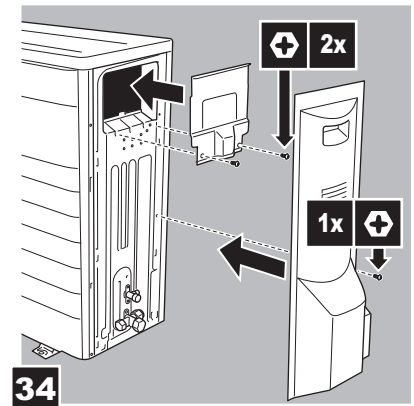
31



32



33



34

35

⚠

Set boiler parameter \bar{E} .

$\bar{E} = 1 \rightarrow *HYHBX08AAV3$

$\bar{E} = 0 \rightarrow *HYHBH08AAV3/*HYHBH05AAV3$

📖

| In case of UA-52 error | |
|---|--|
| Cause | Possible solution |
| Boiler parameter \bar{E} . is not set correctly | Set boiler parameter \bar{E} . correctly |
| Software incompatibility between boiler and heat pump | Reprogram the boiler |

